



# Klemm 708 3G

# Klemm 708 3G

## Technical Data

### Crawler Base

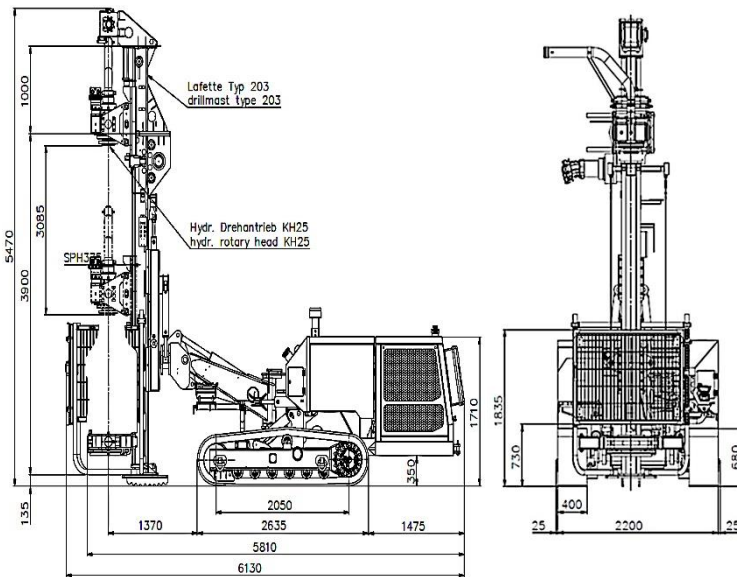
Spec ground pressure	7.5N/cm <sup>2</sup>
Total width	2200mm
Length, axle to axle	2050mm
Length of tracks	2634mm
Ground clearance	295mm
Operational weight	12 tons

### Drill Masts

Feed gear	Drill mast type L203/10 with two speed feed gear and roller chain (feed / pull = 100kN)
Total mast length	5900mm
Feed length	3200mm
Feed Force / Retraction Force	100kN / 100kN
Feed Speed / Retraction Speed	4.8 / 9.6m / min

### Transport Dimensions

Total length	6405mm	Total width	2200mm
Total height	4360mm		



The Klemm 708 is a multi-purpose drill rig for all drilling systems. A series of options is available to provide the optimum rig configuration for a particular drilling process:

- Rotary heads up to 25 kNm torque
- Cable winch up to 20 kN (4,400 lbs) pull-force
- Fixed cat-head for winches up to 10 kN (2,200 lbs) pull-force
- 3-speed motors for rotary heads and hydraulic drifters
- Slide with lateral displacement
- Section mast, for different head rooms adaptable

The rig conception allows an easy dismantling of the complete basic unit from the crawler base.