

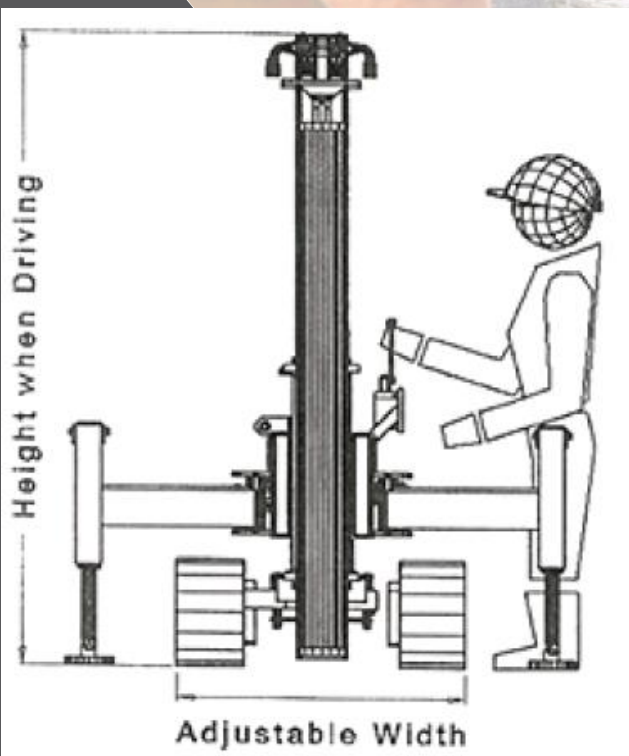
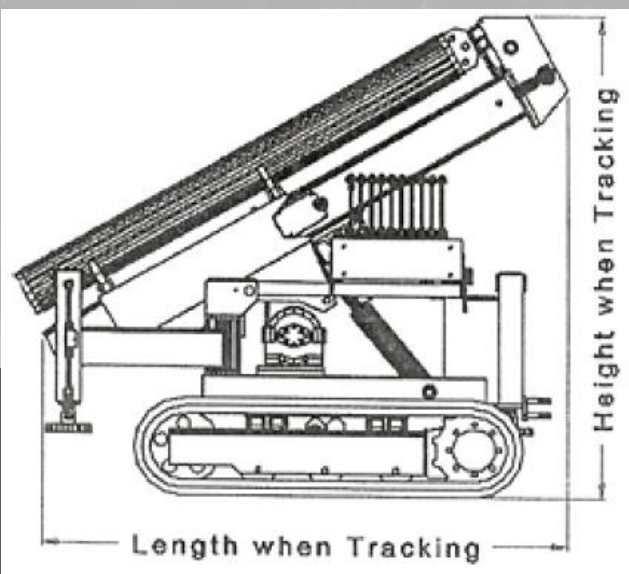


# TD 750



# TD 750

The TD750 was developed for smaller driven piling jobs. The power pack is a road towable unit that can be also towed by the rig, or positioned on site and the rig operated independently via the 20-25 metre hydraulic hoses allowing the use of the rig into confined space of houses etc.



## Technical Data

Specification	
Height when driving	1500mm
Width adjustable	800-1050mm
Length when driving	1200mm
Length when tracking	1350mm
Weight without hammer	700kg
Maximum hammer weight	0.6 ton
Weights and Dimensions	
Gross weight – Rig	700kg
Gross weight – Powerpack	800kg
Operating length rig	1700mm
Operating height rig	2100mm
Overall width rig	800 – 1050mm
Transport length (including powerpack)	3.3m
Transport height	1.5m
Maximum hammer weight	0.6 ton

